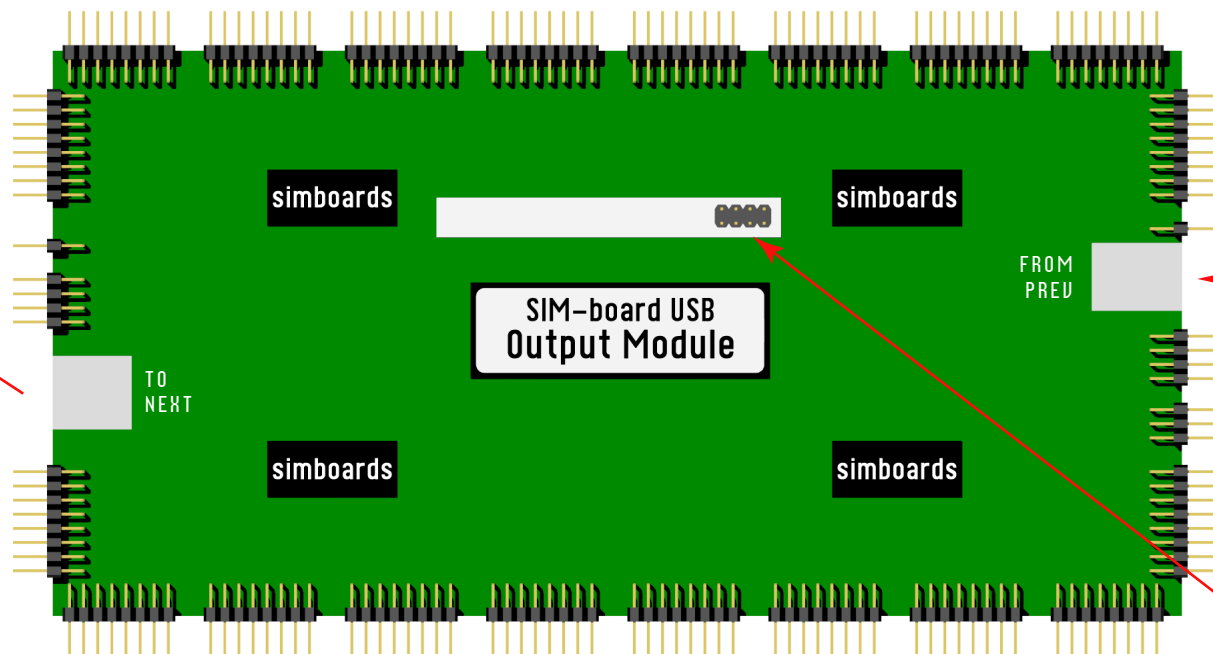


## Output Module Essential Connections

(OPTIONAL)  
Connect a USB cable here ("A"/flat end) if you want to add another SIM-board to your chain.  
(The other end of the cable should be connected to the next SIM-board's "FROM PREU" port.)

1



### LAST MODULE?

If this module is the last one in the chain of SIM-boards, ensure the jumper is connected across the pins of this terminal. Otherwise, ensure the jumper is removed.

Connect the USB cable ("B"/box end) from the PREVIOUS module here (PREVIOUS module can be your MASTER module or any FUNCTION module). 1 2

1 Do NOT connect any SIM-board FUNCTION module, such as this one, directly to your computer's USB port. Only connect a FUNCTION module to another FUNCTION module, or to a SIM-board MASTER module.

2 If this is the first module in your chain, the USB cable from your SIM-board MASTER Module should be connected to the FROM PREU port.

3 The **MODULE POWER SOURCE** select jumpers are very important – be sure to set these correctly on EVERY SIM-board in your chain.

DO NOT CHANGE THESE JUMPERS WITHOUT FIRST UNPLUGGING ALL POWER SOURCES FROM THE MAINS, AND UNPLUGGING YOUR SIM-BOARD MASTER MODULE FROM YOUR COMPUTER. SERIOUS DAMAGE CAN RESULT IF THE JUMPER SETTINGS ON YOUR MASTER MODULE AND YOUR FUNCTION MODULES DIFFER FROM EACH OTHER – ALWAYS DOUBLE CHECK THAT EACH MODULE IS CONFIGURED WITH THE SAME SETTING OF EITHER "USB" POWER or "EXT" POWER THROUGHOUT YOUR CHAIN OF MODULES.

### MODULE POWER SOURCE 3

If your SIM-board MASTER Module is configured to operate from USB bus power:

- ensure the 2 jumpers are connected over the "USB" pins of this bank.

If your SIM-board MASTER Module is configured to operate from EXT (external) power:

- ensure the 2 jumpers are connected over the "EXT" pins of this bank.