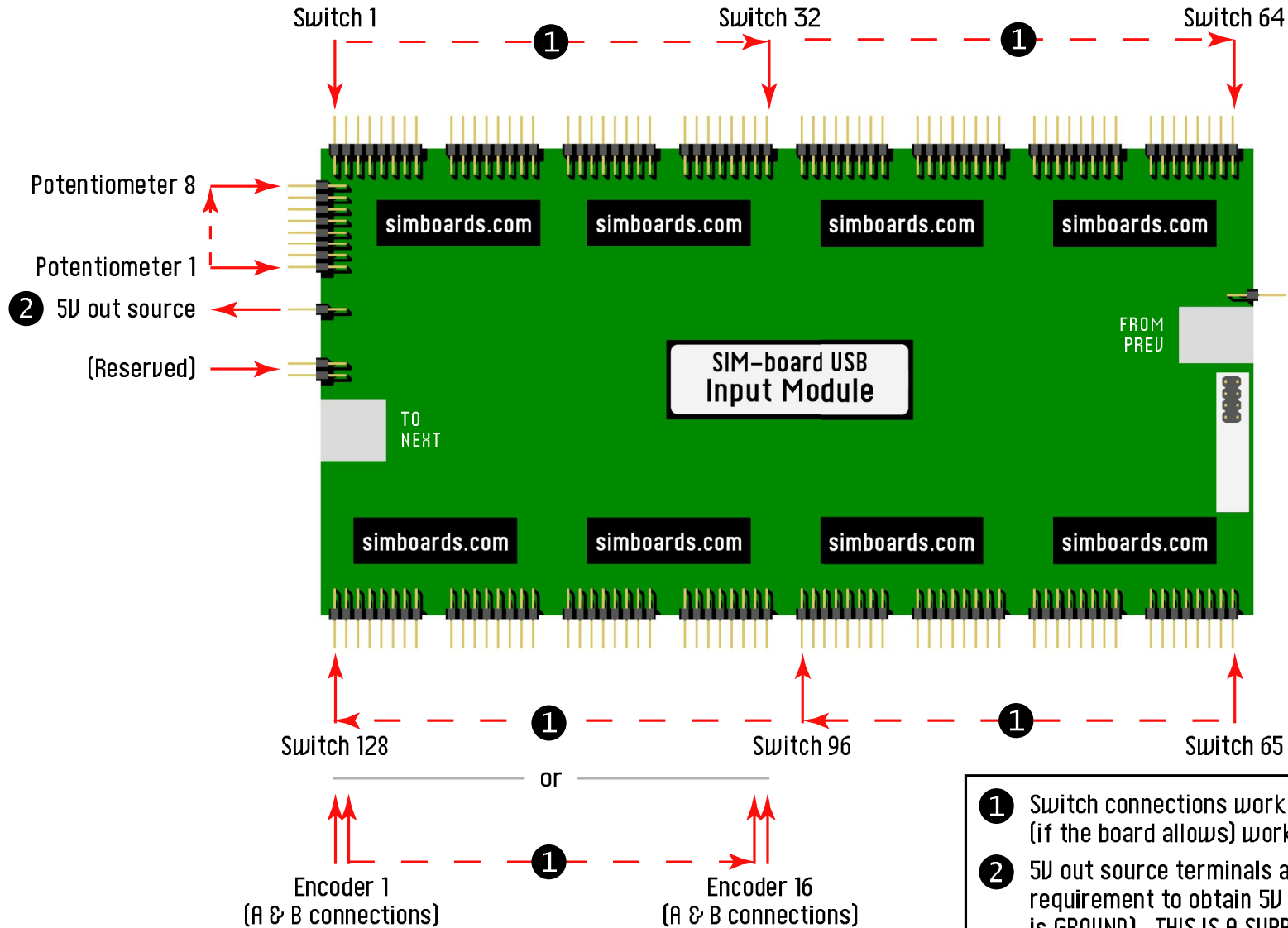


Input Module Function Connections



SWITCH CONNECTIONS:
Connect one switch terminal to the top pin of a switch node. Connect the other switch terminal to the bottom pin of the node.

ROTARY ENCODER CONNECTIONS:
Connect the A and B channels of the encoder to the top pins of an encoder node (side-by-side). Connect the COMMON terminal of the encoder to any bottom pin of the same block.

POTENTIOMETER CONNECTIONS:
Connect the WIPER terminal of the pot to the top pin of a pot node. Connect the HIGH terminal of the pot to the bottom pin of the pot node. Connect the LOW terminal of the pot to any switch node bottom pin.

- 1 Switch connections work clockwise around the board; encoder nodes (if the board allows) work anticlockwise.
- 2 5V out source terminals allow optical encoders with a 5V power requirement to obtain 5V from this source (top pin is 5V, bottom pin is GROUND). THIS IS A SUPPLY ONLY – DO NOT CONNECT 5V TO THESE PINS!
- 3 Detailed individual node connection guidance can be obtained from the SIM-board Universal Controller software floating information icon.