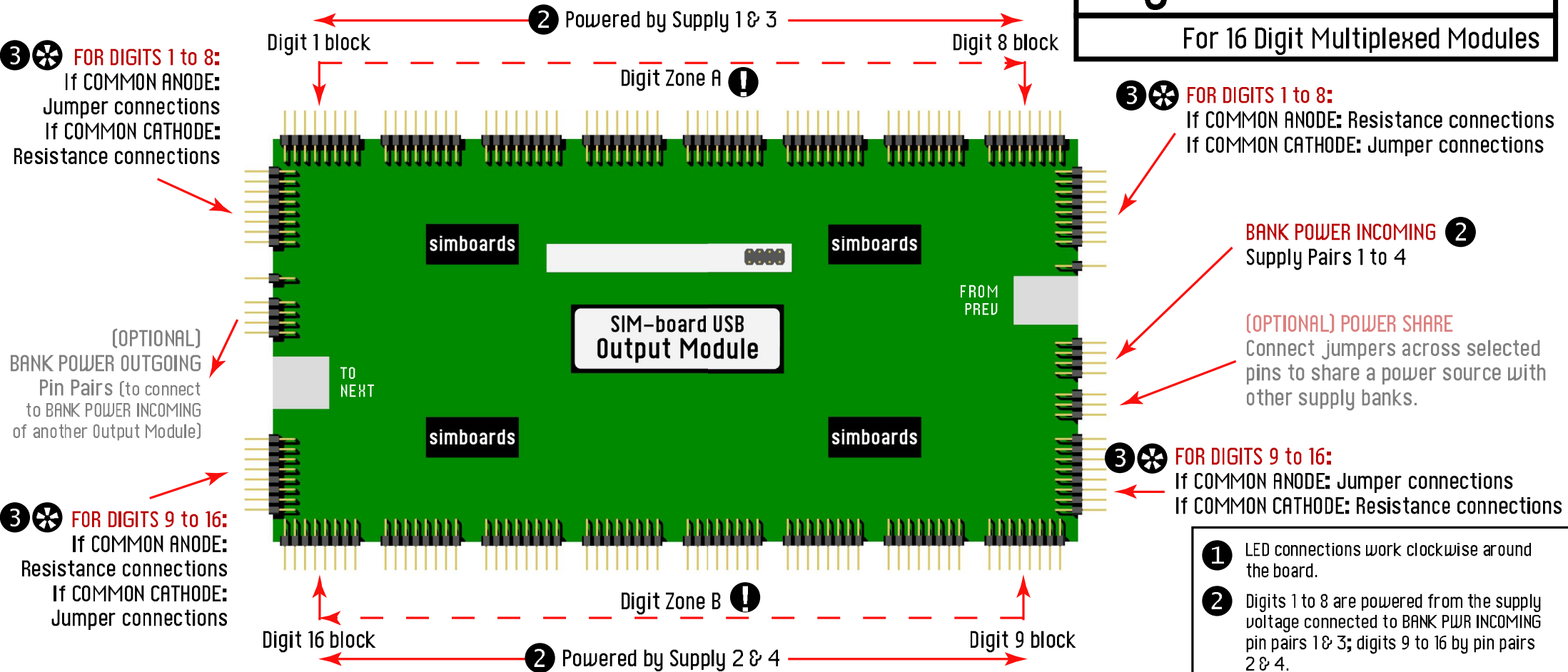


# Output Module Digit Connections

For 16 Digit Multiplexed Modules



**3** **✳** FOR DIGITS 1 to 8:  
If COMMON ANODE:  
Jumper connections  
If COMMON CATHODE:  
Resistance connections

(OPTIONAL)  
BANK POWER OUTGOING  
Pin Pairs (to connect  
to BANK POWER INCOMING  
of another Output Module)

**3** **✳** FOR DIGITS 9 to 16:  
If COMMON ANODE:  
Resistance connections  
If COMMON CATHODE:  
Jumper connections

**3** **✳** FOR DIGITS 1 to 8:  
If COMMON ANODE: Resistance connections  
If COMMON CATHODE: Jumper connections

**BANK POWER INCOMING** **2**  
Supply Pairs 1 to 4

(OPTIONAL) POWER SHARE  
Connect jumpers across selected  
pins to share a power source with  
other supply banks.

**3** **✳** FOR DIGITS 9 to 16:  
If COMMON ANODE: Jumper connections  
If COMMON CATHODE: Resistance connections

**1** LED connections work clockwise around the board.

**2** Digits 1 to 8 are powered from the supply voltage connected to BANK PWR INCOMING pin pairs 1 & 3; digits 9 to 16 by pin pairs 2 & 4.

**3** Each output module is supplied with 16 individual 220-ohm resistors for use on these pins when driving "typical" segments. Use the ribbon cable assembly supplied with your module to fit the resistors in one end and connect the other end to the pin bank. Use 9V power supply to drive your segments when using these resistors.

**4** Detailed individual node connection guidance can be obtained from the SIM-board Universal Controller software floating information icon.

**✳** Use the common cathode arrangement for common cathode displays; common anode arrangement for common anode displays. The polarity can be changed in the "Module Settings" area of the SIM-board Universal Controller software when viewing this module's nodes. All 16 digits must be of the same polarity arrangement.

**!** FOR COMMON CATHODE:  
TOP ROW PINS: Connect the segment pins A through to DP to the pins marked 1 to 8 on one of the blocks per zone.  
BOTTOM ROW PINS: Connect the common cathode pin of each digit to any bottom row pin of each of the 8 blocks per zone.  
FOR COMMON ANODE:  
TOP ROW PINS: Connect the common anode pin of each digit to the pins marked 1 to 8 on one of the blocks per zone.  
BOTTOM ROW PINS: Connect the segment pins A through to DP to any bottom row pin of each of the 8 blocks per zone.

DIGIT ZONES